

**Juxta Slab** Designed by E00S

**keilhauer.com**

1450 Birchmount Road  
Toronto, Ontario, Canada  
M1P 2E3

T 416 759 5665  
F 416 759 5723  
1 800 724 5665

**KEILHAUER**

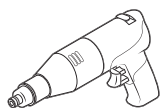
**KEILHAUER**

**Juxta Slab**  
Assembly Guide



## Tools Required

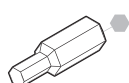
(1) Pneumatic Driver Gun



(1) Robertson Bit

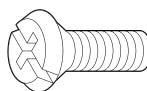


(1) Hex Bit

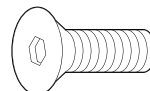


## Hardware Included

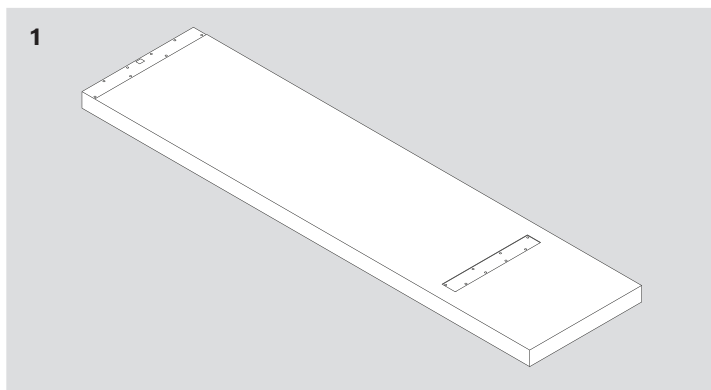
(16) 1/4-20 x 3/4"  
Machine Screws



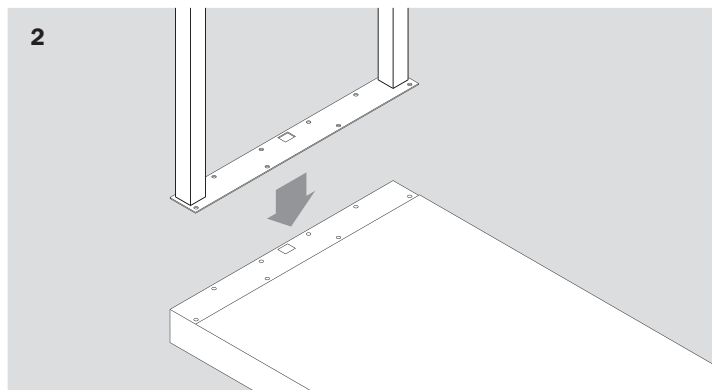
(4) 1/4-20 x 1 1/4"  
Flat Socket Screws



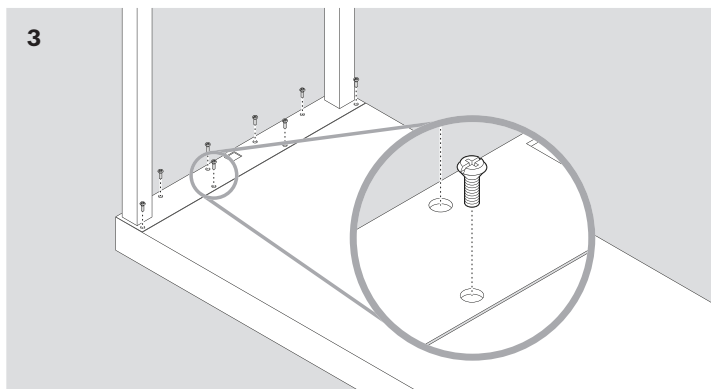
(4) Glides



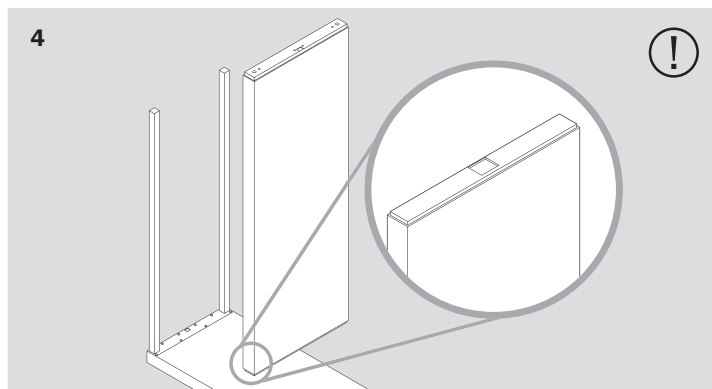
Place the slab top upside down on a well-padded flat surface.



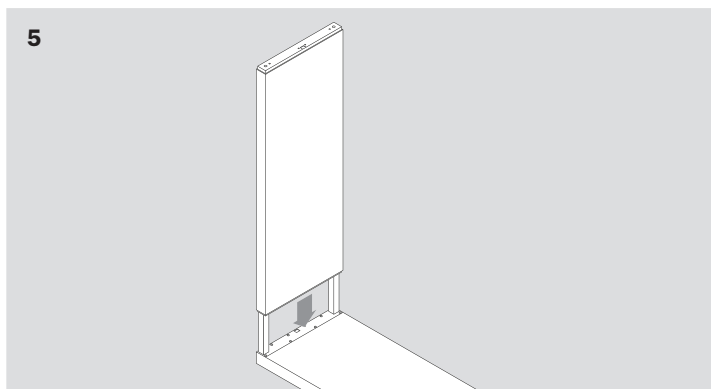
Place the metal leg inserts as shown.



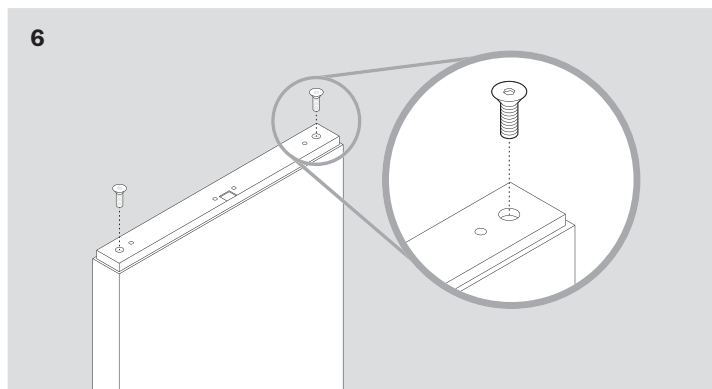
Use eight 1/4-20 x 3/4" machine screws to secure the inserts to the top. Hand tighten the screws first to allow some play for the screws to properly line up. Secure the screws with a screwdriver once all the screws are aligned.



Before assembling the first, wider table leg, note the detail, as the channelled end goes against the underside of the table.



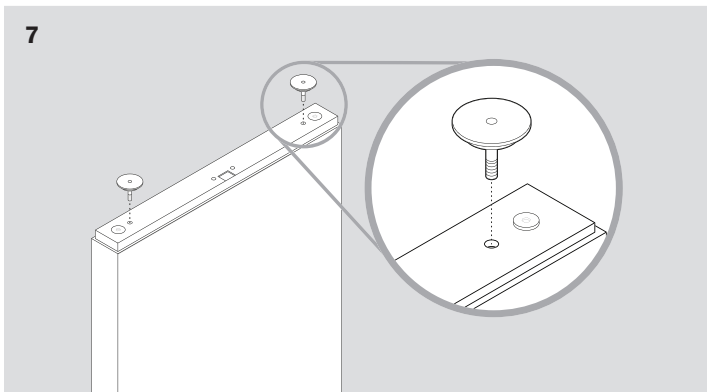
Gently lift the leg into place over the metal leg inserts.



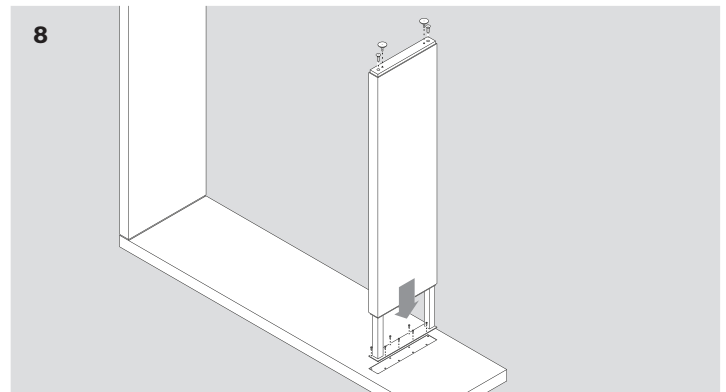
Use two 1/4-20 x 1 1/4" flat socket screws (one on each end) to secure the plate.

**Warning**

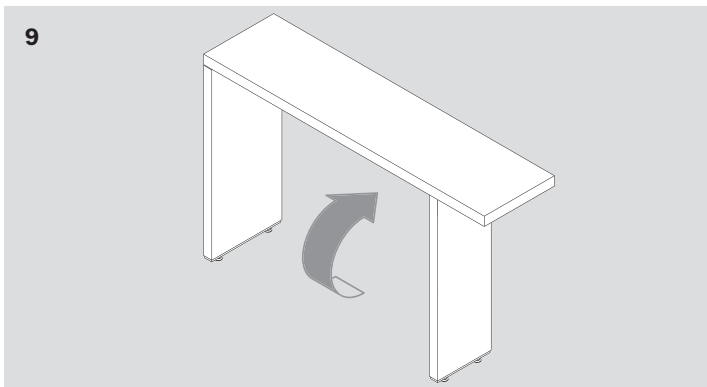
Ensure that the channeled end of the slab table leg goes against the underside of the table, not the ground, as shown in step 4.



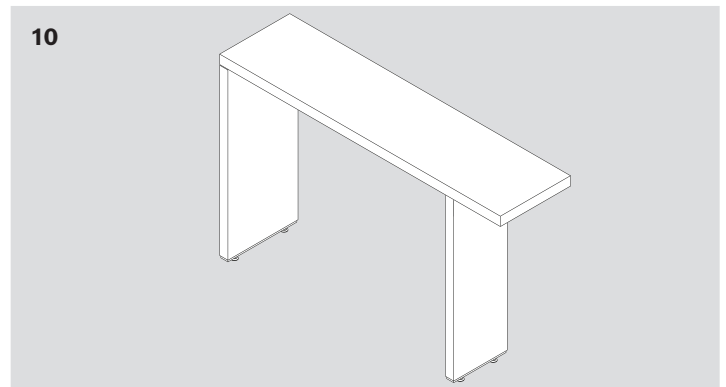
Assemble the leg glide after the flat socket screw and leave enough thread, as this will assist in protecting the table leg edge when turning the table back on its legs.



Repeat leg assembly steps for the second table leg.



Making sure there is sufficient padding in place to avoid damages, turn the table onto its legs.



Move table into place and adjust glides to provide level surface.